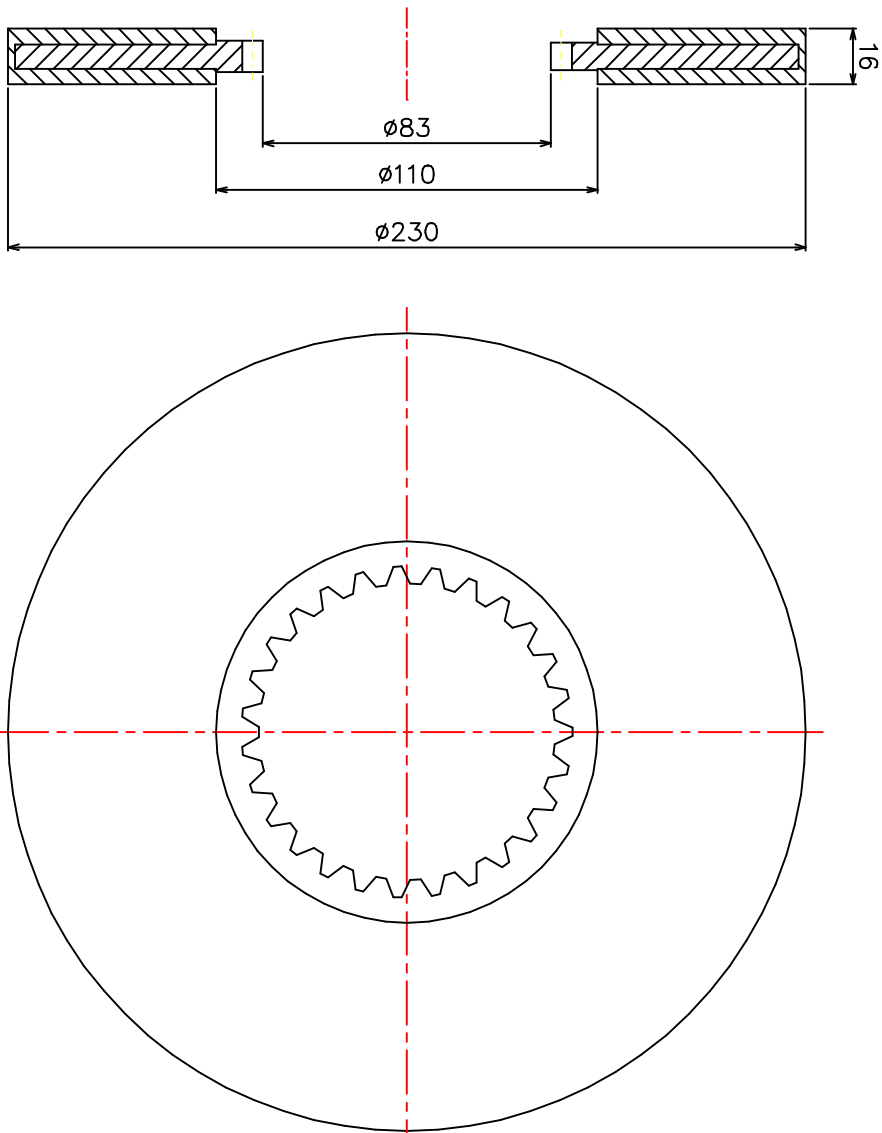
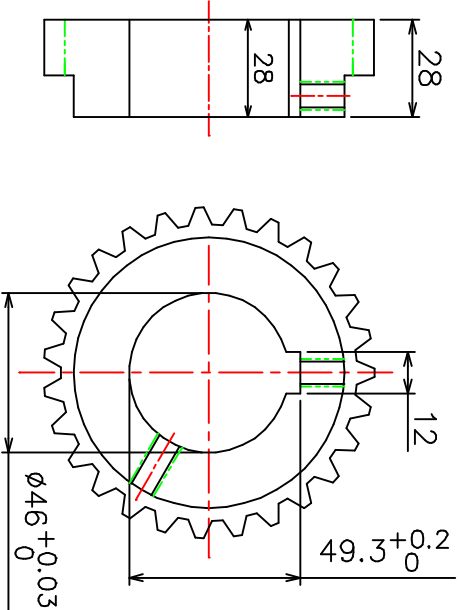


REVISION				
NO.	DATE	DESCRIPTION	DRWG	DEGN



NKSB-70A-라인본



NKSB-70A-허브

GENERAL TOLERANCE	NO.	DESCRIPTION	MAT'L	Q'TY	REMARK
SIZE	MACHINING	WELDING			
0.5-6	±0.1	±0.9			
6-30	±0.2	±1.6			
30-120	±0.3	±2.8			
120-315	±0.5	±4.0			
315-1000	±0.8	±7.0			
1000-2000	±1.2	±11.0			

DRWG	DEGN	CHKD	APPD	DATE	DRWG NO.
				2001.01.09	7-1

NO.	TITLE	SCALE
	NKSB-70A	