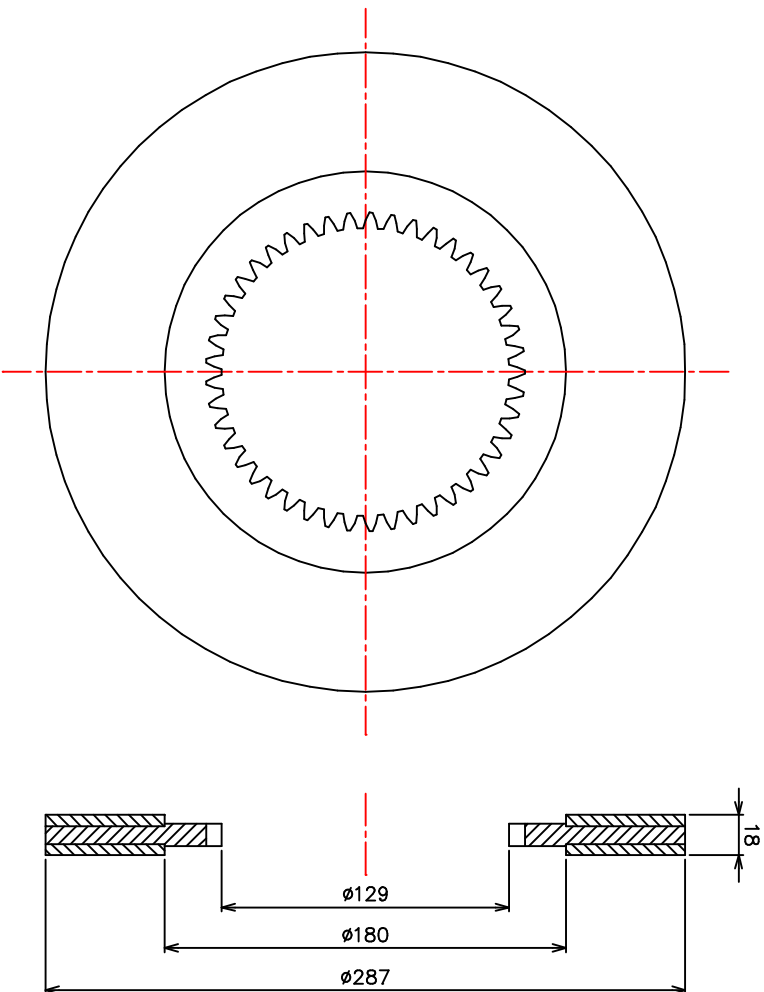
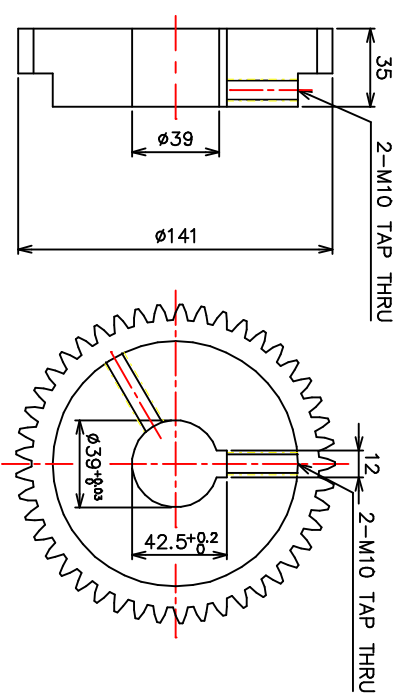


REVISION					
M/K	DATE	DESCRIPTION	DRWG	DEGN	CHKD



NKSB-90A용 라이닝



NKSB-90A용 허브

GENERAL TOLERANCE		NO.	DESCRIPTION	MAT'L	Q'TY	REMARK
SIZE	MACHINING	WELDING	TITLE			
0.5-6	±0.1	±0.9	NKSB-90A			
6-30	±0.2	±1.6	DRWG	DEGN	CHKD	APPD
30-120	±0.3	±2.8	DATE			
120-315	±0.5	±4.0	DRWG NO			
315-1000	±0.8	±7.0	SCALE			
1000-2000	±1.2	±11.0	2001.09.18			

